



ATD-80305

3-Watt Strip LED + w/UV Top Light

Owner's Manual



Features

- 3-Watt single strip COB LED bulb for a wider & brighter lighting area
- 2.4-Watt Ultraviolet LED top light fluoresces leak detection dyes to pinpoint vehicle system leaks
- Lithium-ion rechargeable battery for longer life and consistent power
- Light head rotates 180° and pivots 120° to direct light to work area
- Super strong magnetic base sticks to steel surfaces
- 360° rotating top hook
- Automatic shut-off and overcharge protection for optimal battery life
- Tough, impact resistant ergonomic housing
- Versatile 3-in-1 charging system
 - Charge from 120V AC with included wall power plug
 - Charge from 12V DC with included vehicle power plug
 - Charge from USB charging port with included USB cord

Operating instructions

- To use, plug the unit into any 110-120V AC power source, such as a wall receptacle. Let the unit fully charge until the green indicator inside Mini-USB socket on lamp turns on before use.
- Charge this light every month if not in constant use, and after each use, if it is used often to ensure longevity.
- Press the switch at the back of the handle to turn front light on, press again to turn top light on, press third time to turn it off.

Cautions

- For indoor use only - don't use in or around tubs, showers, sinks, pools, hot tubs, or in a wet environment
- Use only the recommended voltage and frequency requirements
- Keep out of reach of children
- Do not operate light with wet hands.
- Keep lamp away from hot objects.

Specifications

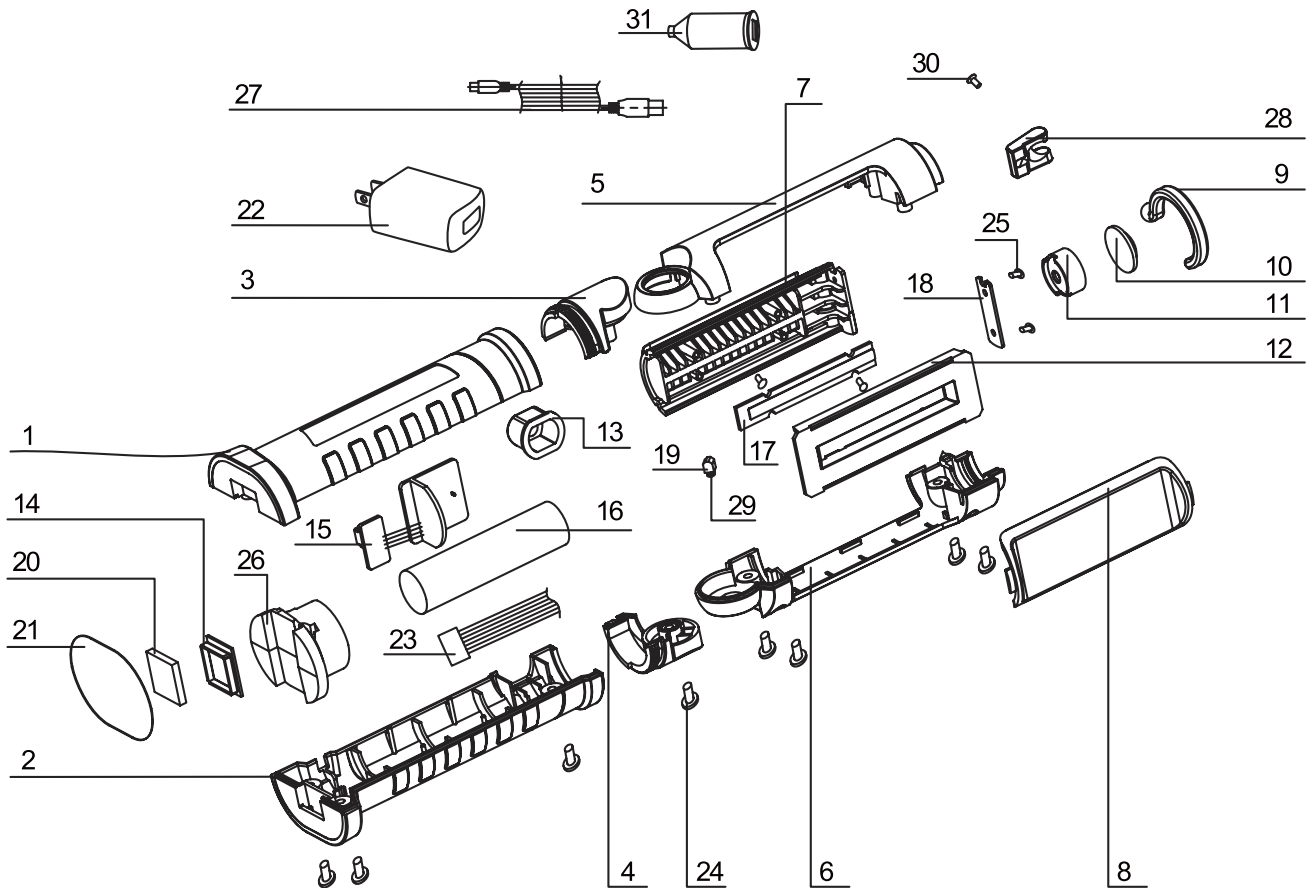
- Main Bulb: 3-Watt single strip COB LED
- Brightness: 200-250 lumens
- Top Bulb: 2.4-Watt ultraviolet LED
- UV Range: 395-410nm
- Battery: 3.7V 2200mAh lithium-ion rechargeable
- Run Time: Up to 3-hours continuous
- Length: 10-1/2"
- Weight: 0.60 lbs.

▲ WARNING ▲

WARNING!: WEAR APPROPRIATE EYE PROTECTION THAT BLOCKS UV LIGHT. DO NOT LOOK DIRECTLY AT LIGHT DURING OPERATION. EXPOSURE TO ULTRAVIOLET LIGHT CAN DAMAGE YOUR EYES.

WARNING!: THIS PRODUCT CONTAINS CHEMICALS, INCLUDING LEAD, KNOWN TO THE STATE OF CALIFORNIA TO CAUSE CANCER, BIRTH DEFECTS OR OTHER REPRODUCTIVE HARM. **WASH HANDS AFTER HANDLING.**

ATD-80305



ITEM#	ORDERING PART#	PART DESCRIPTION
1	PRT80304-01-02	HANDLE
2	PRT80304-01-02	HANDLE
3	PRT80304-03-04	JOINT
4	PRT80304-03-04	JOINT
5	PRT80304-05-06	LENS HOUSING
6	PRT80304-05-06	LENS HOUSING
7	PRT80304-07	BACK HOUSING
8	PRT80304-08	FRONT LENS
9	PRT80305-09	TOP HOOK
10	PRT80304-10	TOP LENS
11	PRT80304-11	TOP COVER
12	PRT80304-12	REFLECTOR
13	PRT80305-13	SWITCH COVER
14	PRT80304-14	MAGNET BASE
15	PRT80304-15	SWITCH PCBA W/USB
16	PRT80304-16	LIION BATTERY

ITEM#	ORDERING PART#	PART DESCRIPTION
17	PRT80304-17	COB LED
18	PRT80305-18	TOP PCBA WITH UV LED
19	PRT80304-19-29	GEAR TOOTH & SPRING
20	PRT80304-20	SQUARE MAGNET
21	PRT80304-21	MAGNET LABEL
22	PRT80304-22	AC ADAPTOR
23	PRT80304-23	WIRE
24	PRT80304-24	SCREW
25	PRT80304-25	SCREW
26	PRT80304-26	COUNTERWEIGHT
27	PRT80304-27	USB CORD
28	PRT80304-28	TOP HOOK MOUNT
29	PRT80304-19-29	GEAR TOOTH & SPRING
30	PRT80304-30	SCREW
31	PRT80304-31	DC ADAPTOR